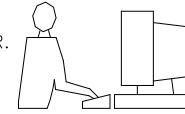


THIS IS A C.A.D. GENERATED DRAWING
DO NOT MAKE MANUAL REVISIONS TO MASTER.



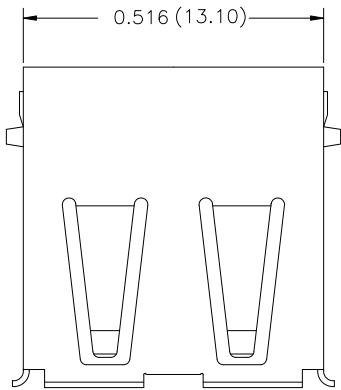
ISSUE NUMBER

ORIGINAL (1)

TIN PLATING WAS TIN-LEAD; REF TO RoHS ADDED.
R.BLAKEY FEB.14/06 (3)

PCB LAYOUT ADDED
F.BRIONES JAN. 06/07 (4)

.037(0.95) HOLES WAS .027(.095)
F.BRIONES MAY 029/09 (5)



PART NUMBER: 690-004-221-013

CONTACT CODE _____

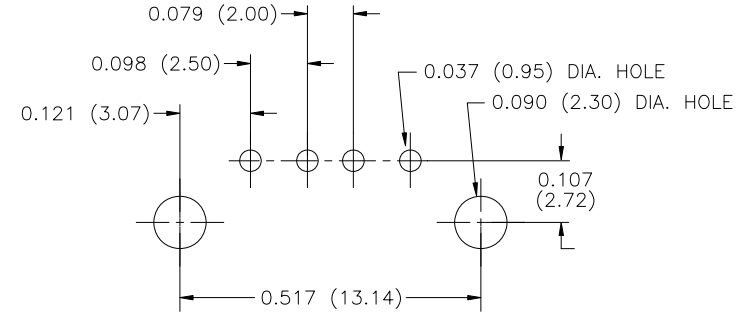
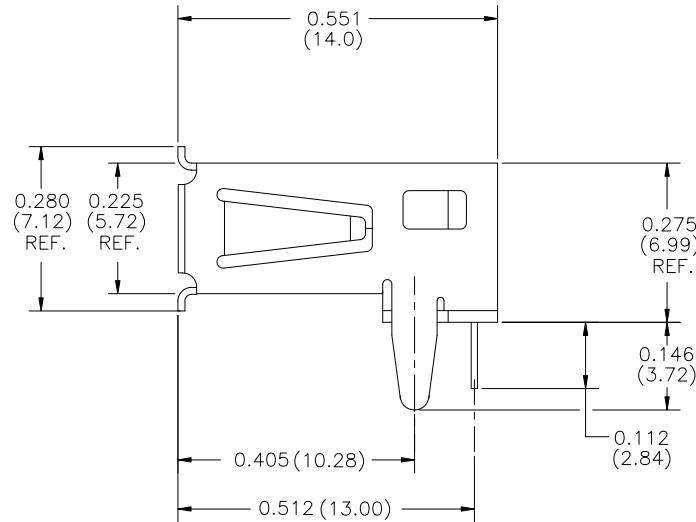
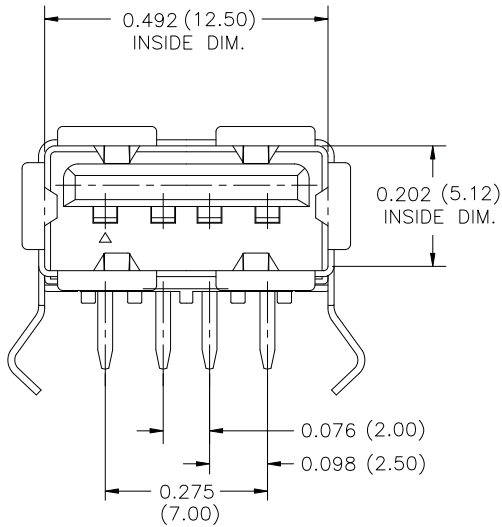
MATERIALS:

SHELL: COPPER ALLOY, NICKEL PLATED

CONTACTS: COPPER ALLOY GOLD PLATE ON CONTACT AREA
TIN ON TAIL END

GOLD FLASH 221 CONTACT CODE
15 MICROINCHES OF GOLD 321 CONTACT CODE
30 MICROINCHES OF GOLD 621 CONTACT CODE

INSULATOR: THERMOPLASTIC (HIGH TEMPERATURE RESISTANCE)



PC BOARD MOUNTING DIMENSIONS



**THIS SERIES FULLY CONFORMS TO THE
EUROPEAN UNION DIRECTIVES 2002/95/EC
AND 2002/96/EC FOR RoHS COMPLIANCY.**

USB CONNECTOR A TYPE, RIGHT ANGLE, SINGLE DECK	ACAD REFERENCE NO. 69000422	
	DRAWN: F.BRIONES	DATE: FEB.16/98
EDAC INC TORONTO, ONTARIO CANADA YOUR CONNECTION TO QUALITY & SERVICE	CHECKED:	
	DATE:	
	SCALE: (IN C.A.D. 1:1)	SHEET 1 OF 1
THESE DRAWINGS AND SPECIFICATIONS ARE THE PROPERTY OF EDAC INC., AND SHALL NOT BE REPRODUCED, OR COPIED OR USED AS THE BASIS FOR THE MANUFACTURE OR SALE OF APPARATUS WITHOUT WRITTEN PERMISSION.	DRAWING NUMBER 690-004-221-013	ISSUE 5